

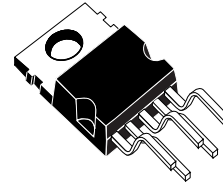


# TDA2006

## 12W AUDIO AMPLIFIER

### DESCRIPTION

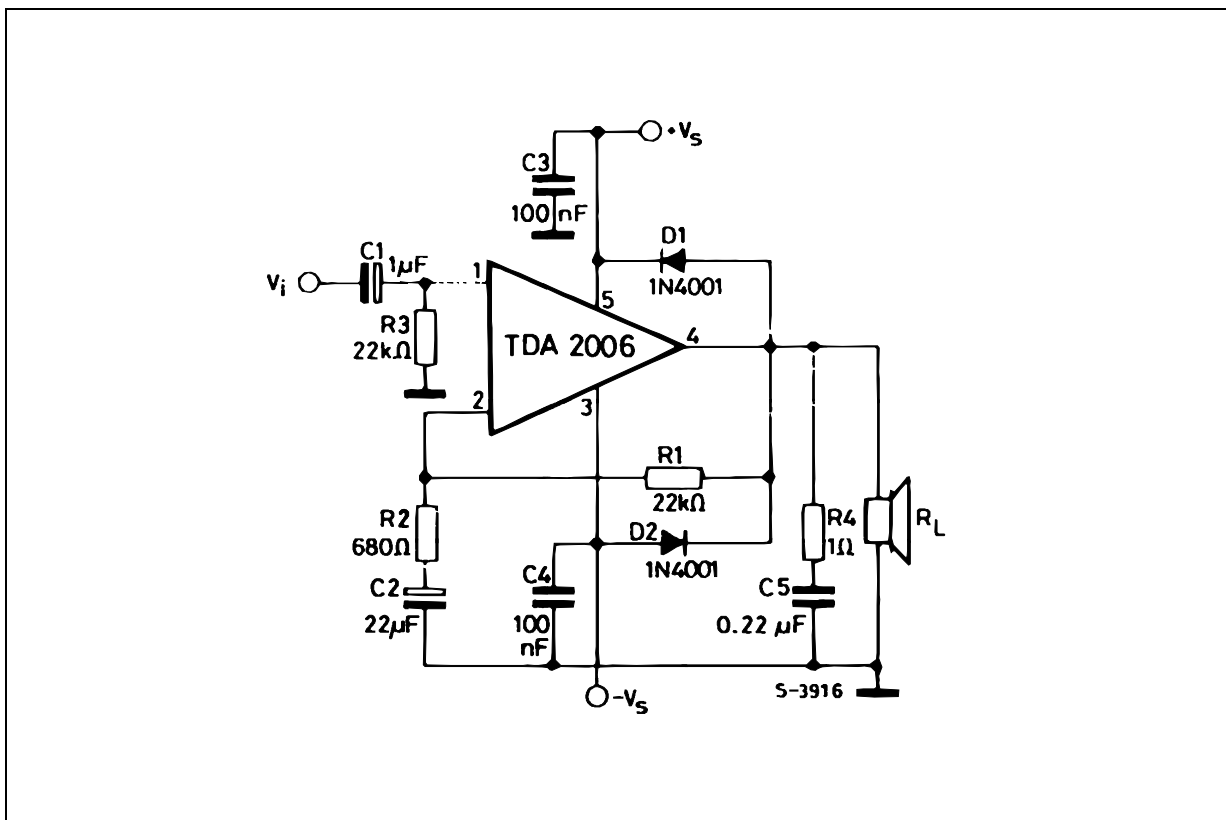
The TDA2006 is a monolithic integrated circuit in Pentawatt package, intended for use as a low frequency class "AB" amplifier. At  $\pm 12V$ ,  $d = 10\%$  typically it provides 12W output power on a  $4\Omega$  load and 8W on a  $8\Omega$ . The TDA2006 provides high output current and has very low harmonic and cross-over distortion. Further the device incorporates an original (and patented) short circuit protection system comprising an arrangement for automatically limiting the dissipated power so as to keep the working point of the output transistors within their safe operating area. A conventional thermal shutdown system is also included. The TDA2006 is pin to pin equivalent to the TDA2030.



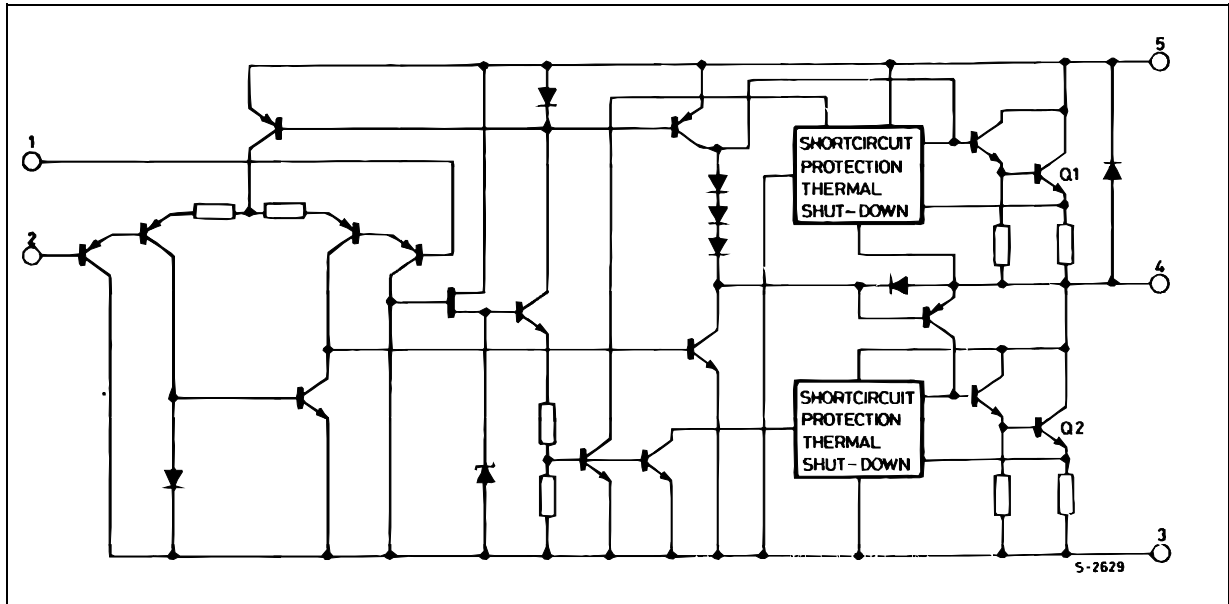
PENTAWATT

ORDERING NUMBERS : TDA2006V  
TDA2006H

### TYPICAL APPLICATION CIRCUIT



**SCHEMATIC DIAGRAM**



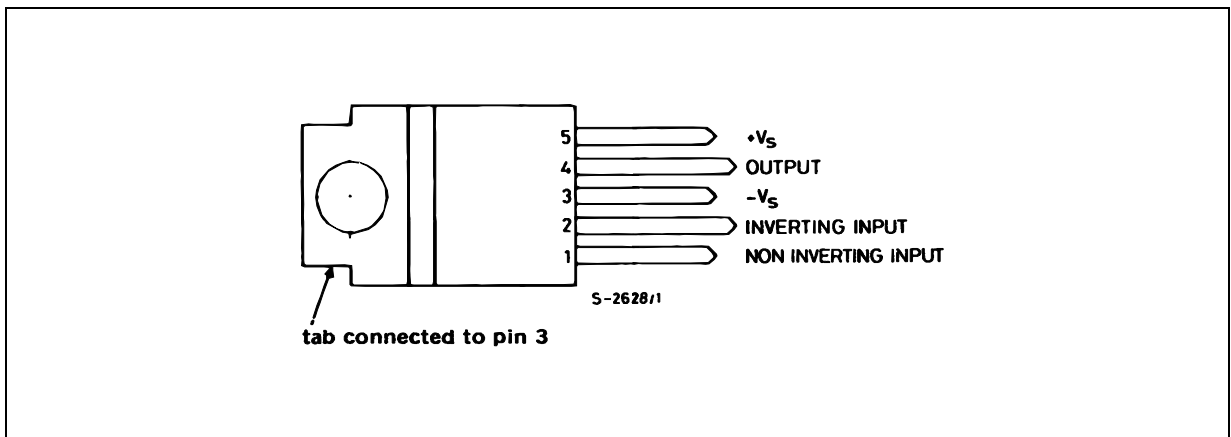
**ABSOLUTE MAXIMUM RATINGS**

| Symbol         | Parameter  | Value       | Unit             |
|----------------|--|-------------|------------------|
| $V_s$          | Supply Voltage   | $\pm 15$    | V                |
| $V_i$          | Input Voltage  | $V_s$       |                  |
| $V_i$          | Differential Input Voltage                                 | $\pm 12$    | V                |
| $I_o$          | Output Peak Current (internally limited)                   | 3           | A                |
| $P_{tot}$      | Power Dissipation at $T_{case} = 90\text{ }^\circ\text{C}$ | 20          | W                |
| $T_{stg}, T_j$ | Storage and Junction Temperature                           | - 40 to 150 | $^\circ\text{C}$ |

**THERMAL DATA**

| Symbol        | Parameter                        | Value | Unit               |
|---------------|----------------------------------|-------|--------------------|
| $R_{th(j-c)}$ | Thermal Resistance Junction-case | Max 3 | $^\circ\text{C/W}$ |

**PIN CONNECTION**



**ELECTRICAL CHARACTERISTICS**(refer to the test circuit ;  $V_S = \pm 12V$ ,  $T_{amb} = 25^\circ C$  unless otherwise specified)

| Symbol   | Parameter                             | Test Conditions  | Min.           | Typ.       | Max.      | Unit       |
|----------|---------------------------------------|--|----------------|------------|-----------|------------|
| $V_S$    | Supply Voltage                        |  | $\pm 6$        |            | $\pm 15$  | V          |
| $I_d$    | Quiescent Drain Current               | $V_S = \pm 15V$  |                | 40         | 80        | mA         |
| $I_b$    | Input Bias Current                    | $V_S = \pm 15V$  |                | 0.2        | 3         | $\mu A$    |
| $V_{OS}$ | Input Offset Voltage                  | $V_S = \pm 15V$  |                | $\pm 8$    |           | mV         |
| $I_{OS}$ | Input Offset Current                  | $V_S = \pm 15V$  |                | $\pm 80$   |           | nA         |
| $V_{OS}$ | Output Offset Voltage                 | $V_S = \pm 15V$  |                | $\pm 10$   | $\pm 100$ | mV         |
| $P_o$    | Output Power                          | $d = 10\%$ , $f = 1kHz$<br>$R_L = 4\Omega$<br>$R_L = 8\Omega$  | 6              | 12<br>8    |           | W          |
| d        | Distortion                            | $P_o = 0.1$ to $8W$ , $R_L = 4\Omega$ , $f = 1kHz$<br>$P_o = 0.1$ to $4W$ , $R_L = 8\Omega$ , $f = 1kHz$ |                | 0.2<br>0.1 |           | %<br>%     |
| $V_i$    | Input Sensitivity                     | $P_o = 10W$ , $R_L = 4\Omega$ , $f = 1kHz$<br>$P_o = 6W$ , $R_L = 8\Omega$ , $f = 1kHz$                  |                | 200<br>220 |           | mV<br>mV   |
| B        | Frequency Response (-3dB)             | $P_o = 8W$ , $R_L = 4\Omega$   | 20Hz to 100kHz |            |           |            |
| $R_i$    | Input Resistance (pin 1)              | $f = 1kHz$   | 0.5            | 5          |           | $M\Omega$  |
| $G_v$    | Voltage Gain (open loop)              | $f = 1kHz$   |                | 75         |           | dB         |
| $G_v$    | Voltage Gain (closed loop)            | $f = 1kHz$   | 29.5           | 30         | 30.5      | dB         |
| $e_N$    | Input Noise Voltage                   | B (-3dB) = 22Hz to 22kHz, $R_L = 4\Omega$  |                | 3          | 10        | $\mu V$    |
| $i_N$    | Input Noise Current                   | B (-3dB) = 22Hz to 22kHz, $R_L = 4\Omega$  |                | 80         | 200       | pA         |
| SVR      | Supply Voltage Rejection              | $R_L = 4\Omega$ , $R_g = 22k\Omega$ , $f_{ripple} = 100Hz$ (*)   | 40             | 50         |           | dB         |
| $I_d$    | Drain Current                         | $P_o = 12W$ , $R_L = 4\Omega$<br>$P_o = 8W$ , $R_L = 8\Omega$  |                | 850<br>500 |           | mA<br>mA   |
| $T_j$    | Thermal Shutdown Junction Temperature |  |                |            | 145       | $^\circ C$ |

(\*) Referring to Figure 15, single supply.

Figure 1 : Output Power versus Supply Voltage

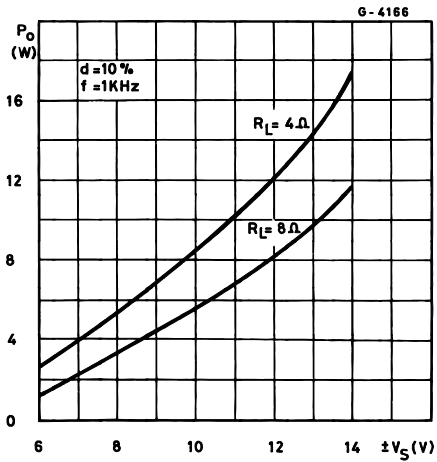


Figure 2 : Distortion versus Output Power

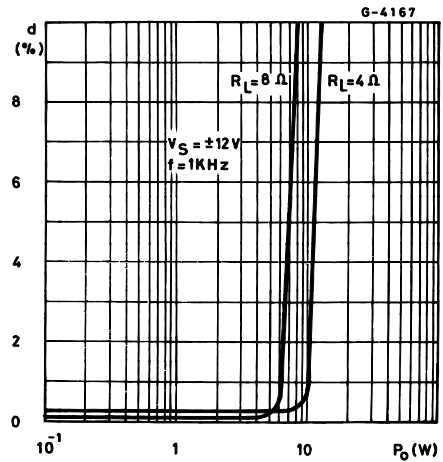


Figure 3 : Distortion versus Frequency

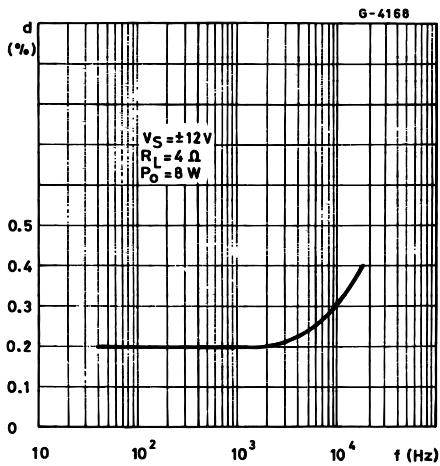


Figure 4 : Distortion versus Frequency

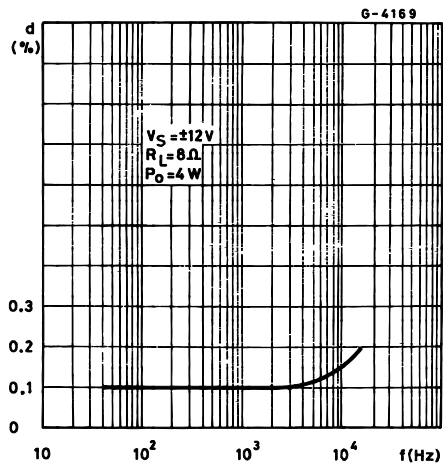


Figure 5 : Sensitivity versus Output Power

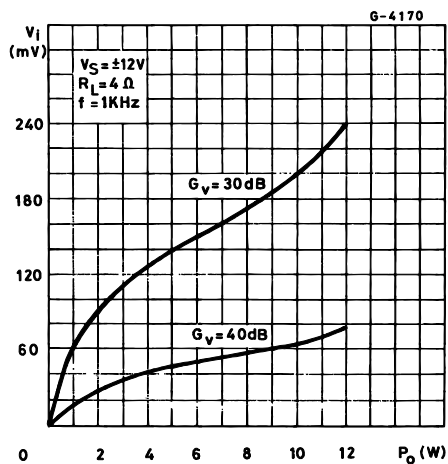
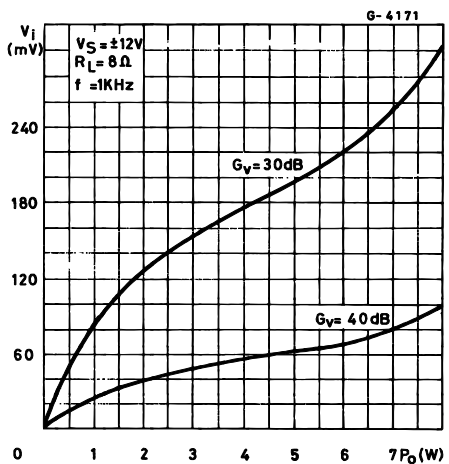
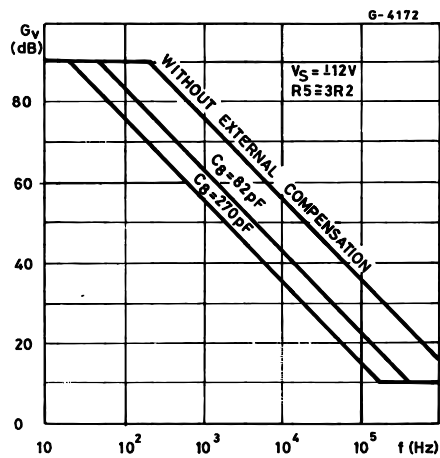


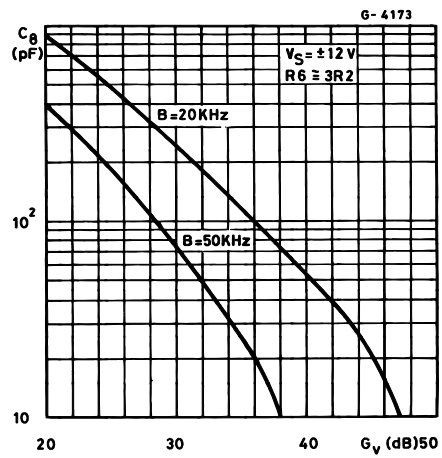
Figure 6 : Sensitivity versus Output Power



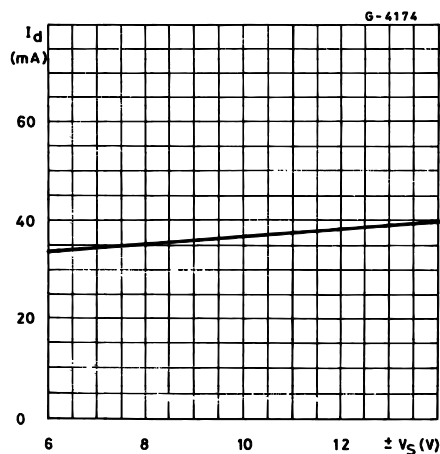
**Figure 7 :** Frequency Response with different values of the rolloff Capacitor C8 (see Figure 13)



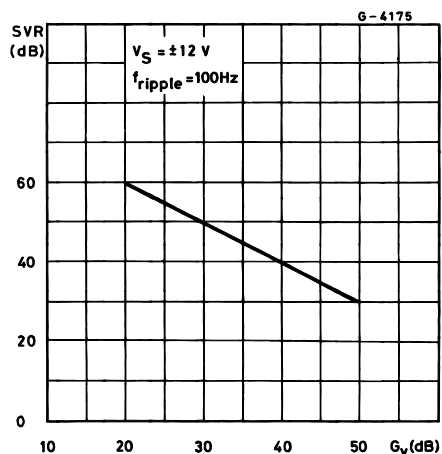
**Figure 8 :** Value of C8 versus Voltage Gain for different Bandwidths (see Figure 13)



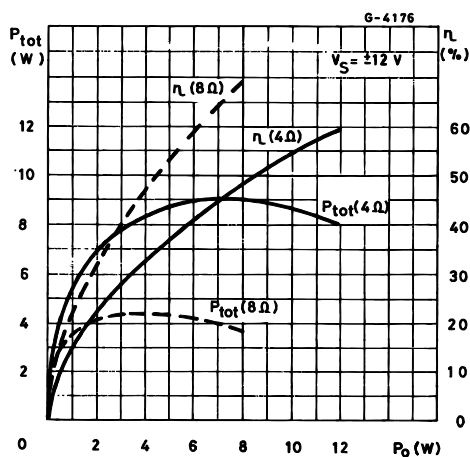
**Figure 9 :** Quiescent Current versus Supply Voltage



**Figure 10 :** Supply Voltage Rejection versus Voltage Gain



**Figure 11 :** Power Dissipation and Efficiency versus Output Power



**Figure 12 :** Maximum Power Dissipation versus Supply Voltage (sine wave operation)

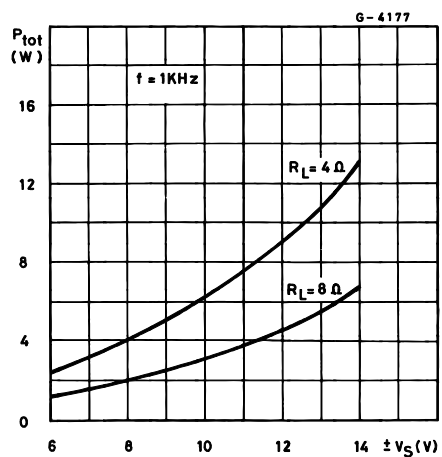


Figure 13 : Application Circuit with Split Power Supply

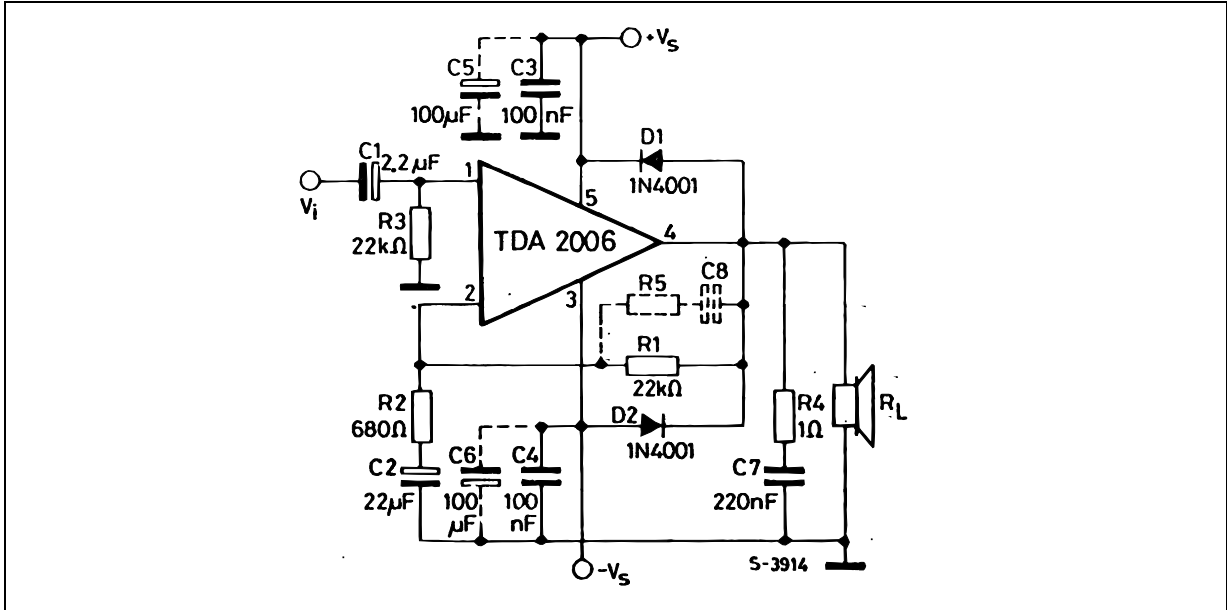


Figure 14 : P.C. Board and Components Layout of the Circuit of Figure 13 (1:1 scale)

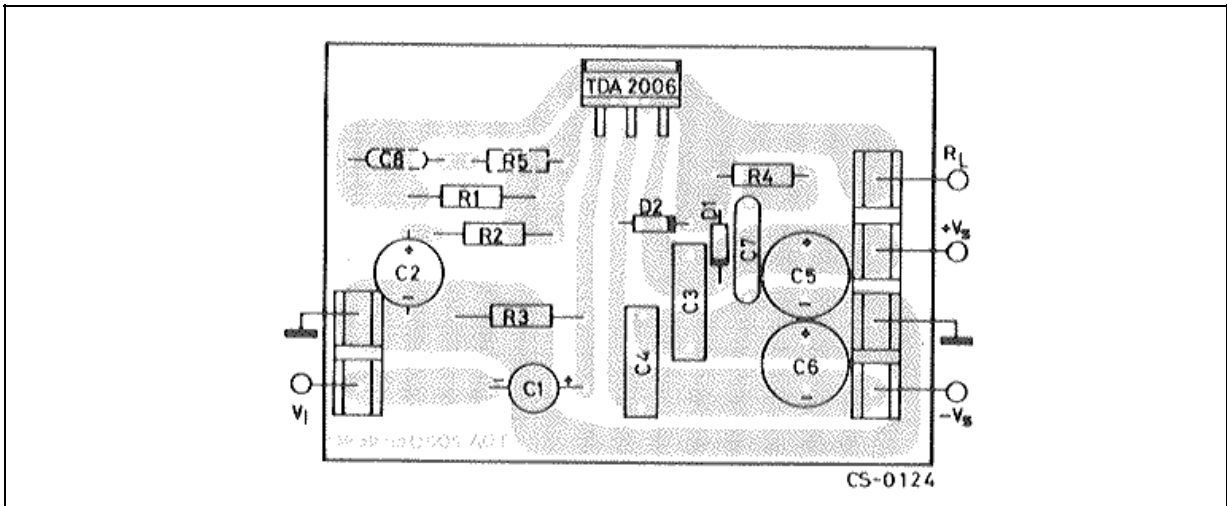


Figure 15 : Application Circuit with Single Power Supply

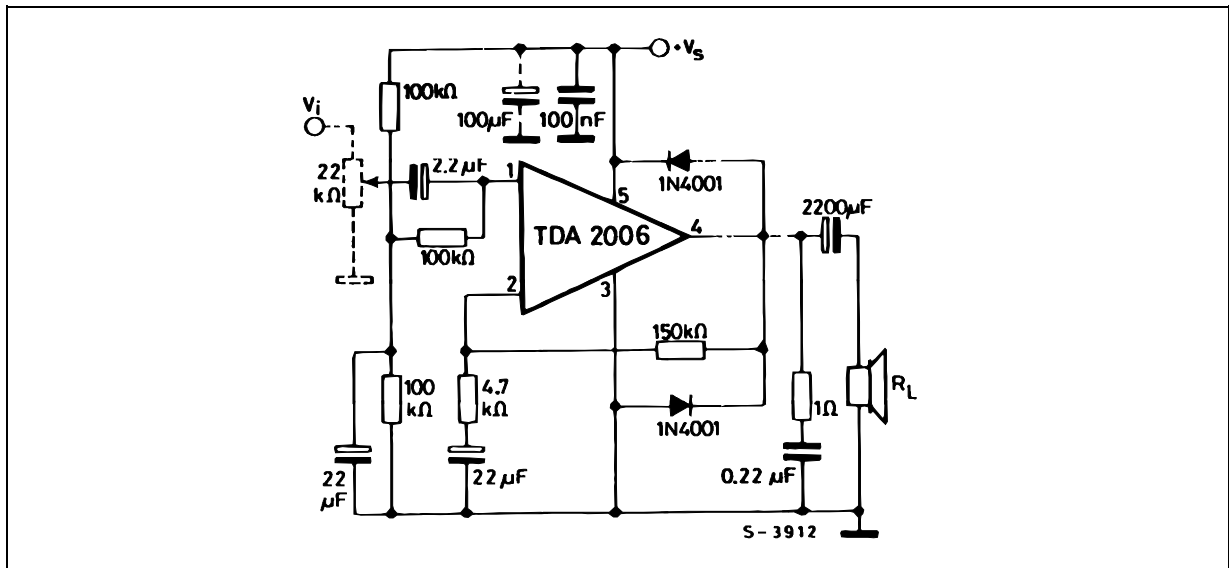


Figure 16 : P.C. Board and Components Layout of the Circuit of Figure 15 (1:1 scale)

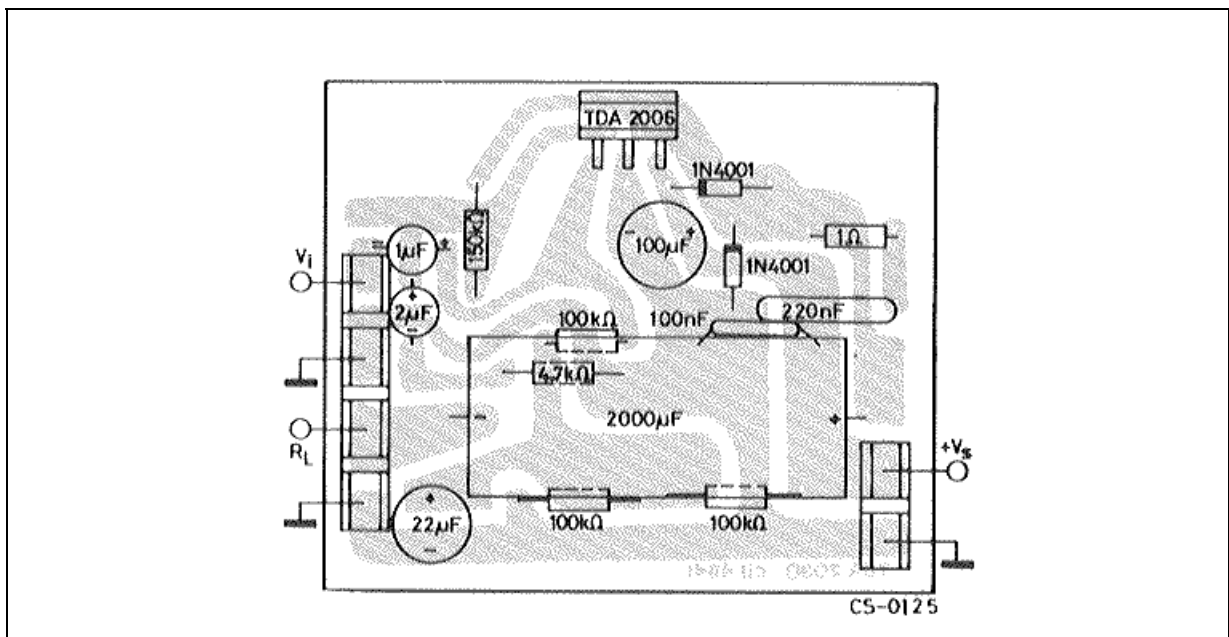
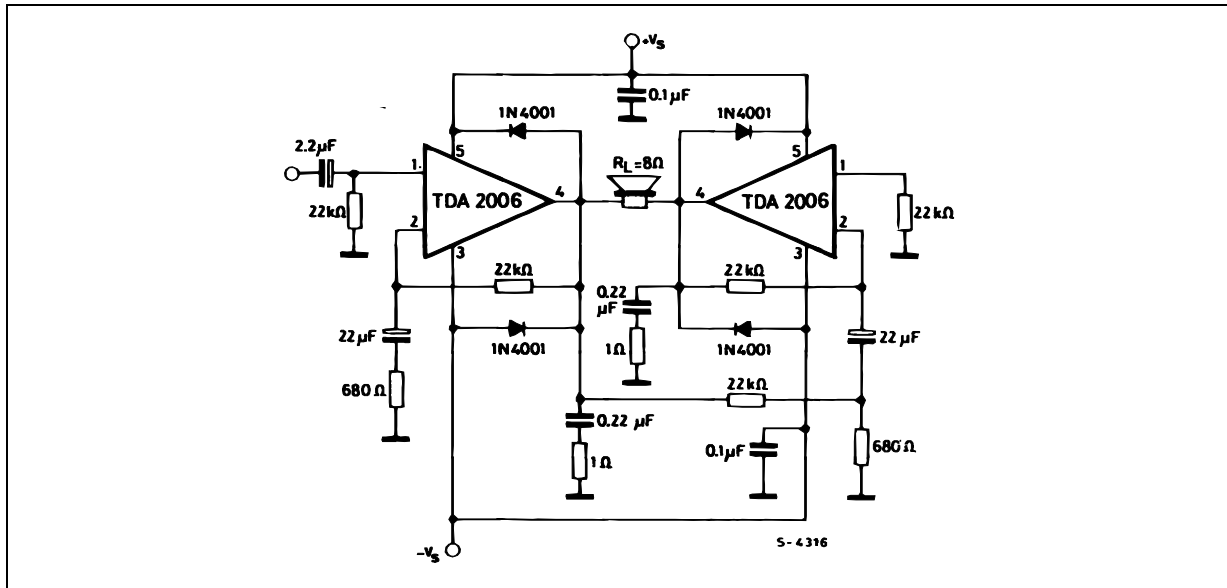


Figure 17 : Bridge Amplifier Configuration with Split Power Supply ( $P_O = 24W$ ,  $V_S = \pm 12V$ )



**PRACTICAL CONSIDERATIONS**

**Printed Circuit Board**

The layout shown in Figure 14 should be adopted by the designers. If different layout are used, the ground points of input 1 and input 2 must be well decoupled from ground of the output on which a rather high current flows.

**Assembly Suggestion**

No electrical isolation is needed between the pack-

age and the heat-sink with single supply voltage configuration.

**Application Suggestion**

The recommended values of the components are the ones shown on application circuits of Figure 13. Different values can be used. The table 1 can help the designers.

Table 1

| Component                     | Recommended Value     | Purpose  | Larger Than Recommended Value                                  | Smaller Than Recommended Value      |
|-------------------------------|-----------------------|--|--|-------------------------------------|
| R <sub>1</sub>                | 22 kΩ                 | Closed Loop Gain Setting                             | Increase of Gain   | Decrease of Gain (*)                |
| R <sub>2</sub>                | 680 Ω                 | Closed Loop Gain Setting                             | Decrease of Gain (*)   | Increase of Gain                    |
| R <sub>3</sub>                | 22 kΩ                 | Non Inverting Input Biasing                          | Increase of Input Impedance                                    | Decrease of Input Impedance         |
| R <sub>4</sub>                | 1 Ω                   | Frequency Stability                                  | Danger of Oscillation at High Frequencies with Inductive Loads |                                     |
| R <sub>5</sub>                | 3 R <sub>2</sub>      | Upper Frequency Cut-off                              | Poor High Frequencies Attenuation                              | Danger of Oscillation               |
| C <sub>1</sub>                | 2.2 μF                | Input DC Decoupling                                  |  | Increase of Low Frequencies Cut-off |
| C <sub>2</sub>                | 22 μF                 | Inverting Input DC Decoupling                        |  | Increase of Low Frequencies Cut-off |
| C <sub>3</sub> C <sub>4</sub> | 0.1 μF                | Supply Voltage by Pass                               |  | Danger of Oscillation               |
| C <sub>5</sub> C <sub>6</sub> | 100 μF                | Supply Voltage by Pass                               |  | Danger of Oscillation               |
| C <sub>7</sub>                | 0.22 μF               | Frequency Stability                                  |  | Danger of Oscillation               |
| C <sub>8</sub>                | $\frac{1}{2\pi BR_1}$ | Upper Frequency Cut-off                              | Lower Bandwidth  | Larger Bandwidth                    |
| D <sub>1</sub> D <sub>2</sub> | 1N4001                | To Protect the Device Against Output Voltage Spikes. |  |                                     |

(\*) Closed loop gain must be higher than 24dB.



### SHORT CIRCUIT PROTECTION

The TDA2006 has an original circuit which limits the current of the output transistors. Figure 18 shows that the maximum output current is a function of the collector emitter voltage ; hence the output transistors work within their safe operating area (Figure 19).

This function can therefore be considered as being peak power limiting rather than simple current limiting.

It reduces the possibility that the device gets damaged during an accidental short circuit from AC output to ground.

### THERMAL SHUT DOWN

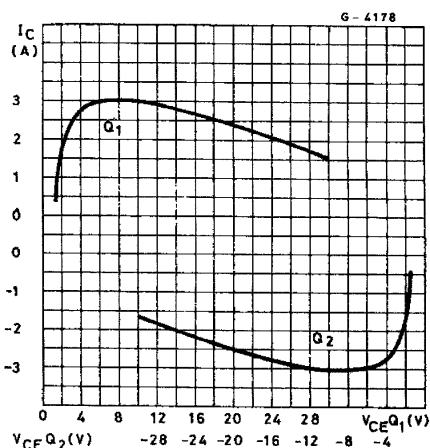
The presence of a thermal limiting circuit offers the following advantages :

- 1) an overload on the output (even if it is permanent), or an above limit ambient temperature can be easily supported since the  $T_j$  cannot be higher than 150°C.
- 2) the heatsink can have a smaller factor of safety compared with that of a conventional circuit. There is no possibility of device damage due to high junction temperature.

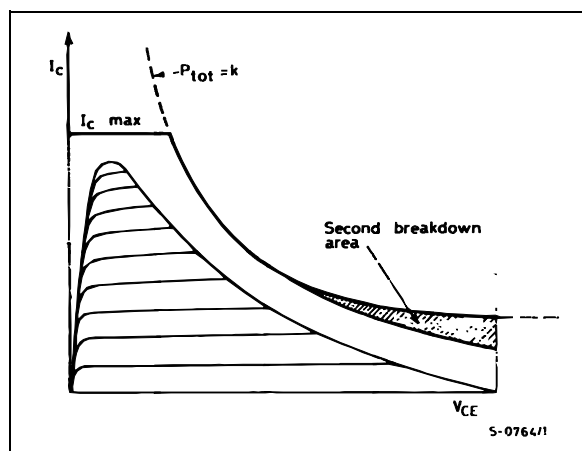
If for any reason, the junction temperature increases up to 150 °C, the thermal shutdown simply reduces the power dissipation and the current consumption.

The maximum allowable power dissipation depends upon the size of the external heatsink (i.e. its thermal resistance) ; Figure 22 shows the dissippable power as a function of ambient temperature for different thermal resistances.

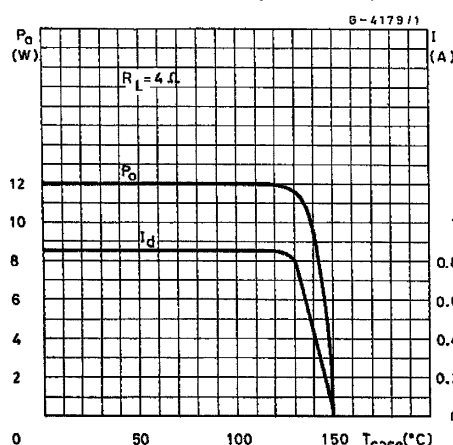
**Figure 18 :** Maximum Output Current versus Voltage  $V_{CE(sat)}$  across each Output Transistor



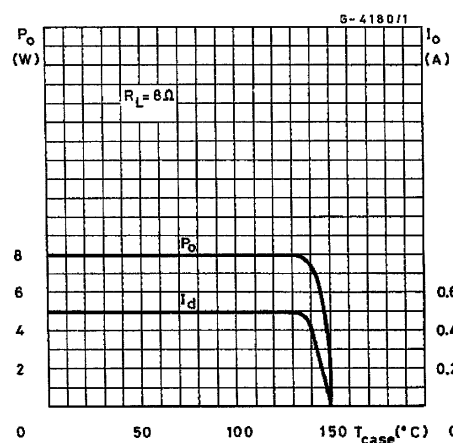
**Figure 19 :** Safe Operating Area and Collector Characteristics of the Protected Power Transistor



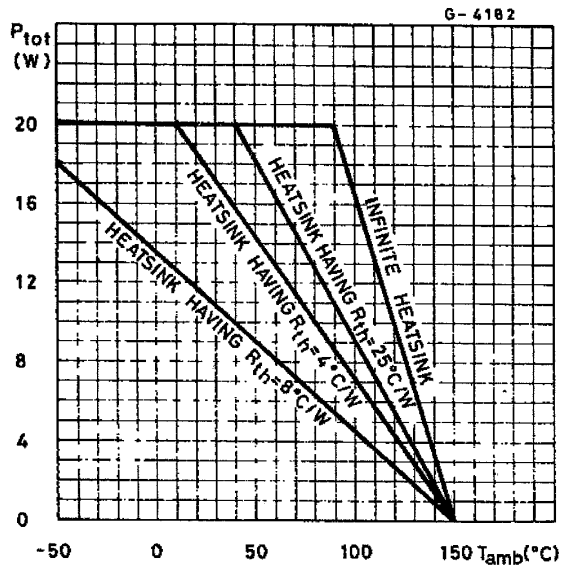
**Figure 20 :** Output Power and Drain Current versus Case Temperature ( $R_L = 4\Omega$ )



**Figure 21 :** Output Power and Drain Current versus Case Temperature ( $R_L = 8\Omega$ )



**Figure 22 :** Maximum Allowable Power Dissipation versus Ambient Temperature

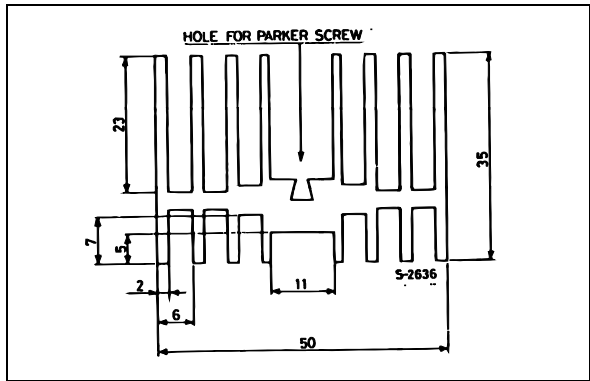


**DIMENSION SUGGESTION**

The following table shows the length of the heatsink in Figure 23 for several values of P<sub>tot</sub> and R<sub>th</sub>.

|                                    |     |     |     |
|------------------------------------|-----|-----|-----|
| P <sub>tot</sub> (W)               | 12  | 8   | 6   |
| Length of Heatsink (mm)            | 60  | 40  | 30  |
| R <sub>th</sub> of Heatsink (°C/W) | 4.2 | 6.2 | 8.3 |

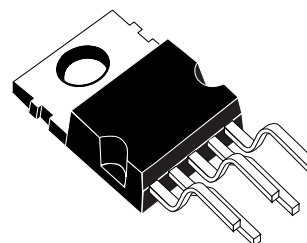
**Figure 23 :** Example of Heatsink



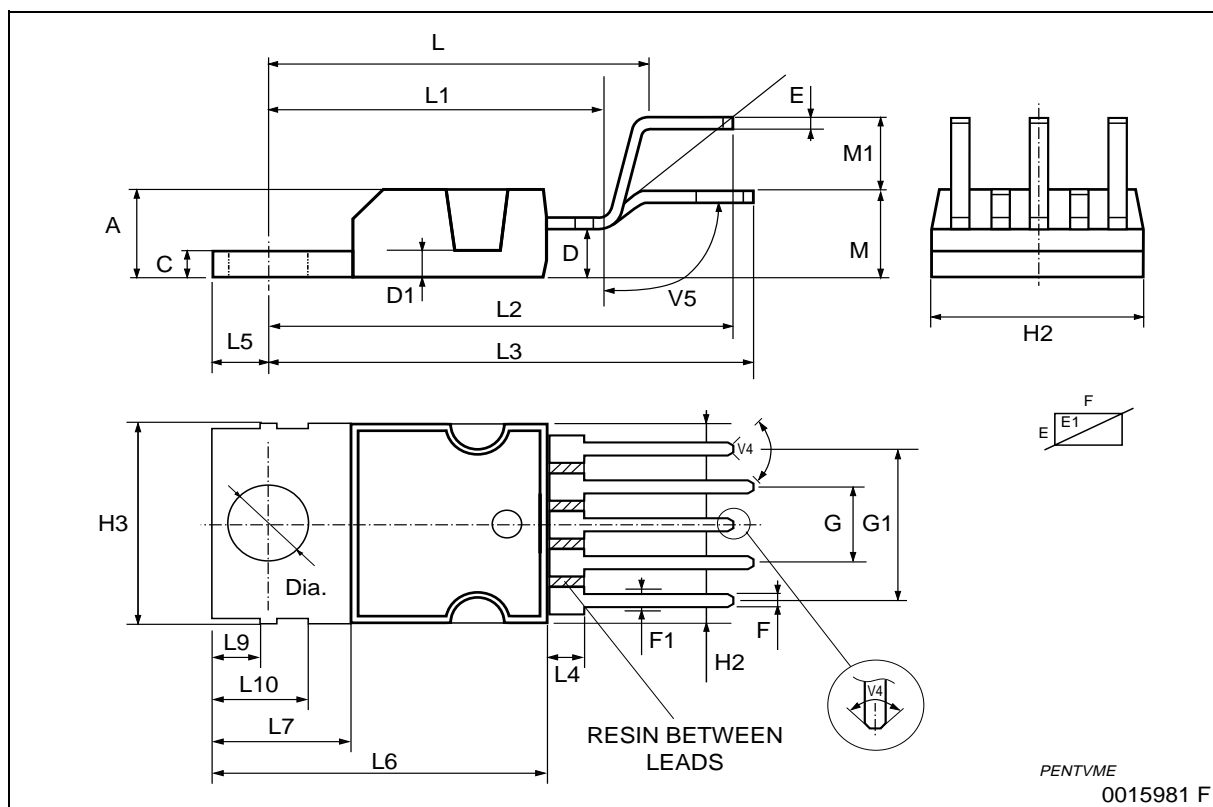
| DIM. | mm         |       |       | inch  |       |       |
|------|------------|-------|-------|-------|-------|-------|
|      | MIN.       | TYP.  | MAX.  | MIN.  | TYP.  | MAX.  |
| A    |            |       | 4.80  |       |       | 0.188 |
| C    |            |       | 1.37  |       |       | 0.054 |
| D    | 2.40       |       | 2.80  | 0.094 |       | 0.11  |
| D1   | 1.20       |       | 1.35  | 0.047 |       | 0.053 |
| E    | 0.35       |       | 0.55  | 0.014 |       | 0.022 |
| E1   | 0.76       |       | 1.19  | 0.030 |       | 0.047 |
| F    | 0.80       |       | 1.05  | 0.031 |       | 0.041 |
| F1   | 1.00       |       | 1.40  | 0.039 |       | 0.055 |
| G    | 3.20       | 3.40  | 3.60  | 0.126 | 0.134 | 0.142 |
| G1   | 6.60       | 6.80  | 7.00  | 0.260 | 0.267 | 0.275 |
| H2   |            |       | 10.40 |       |       | 0.41  |
| H3   | 10.05      |       | 10.40 | 0.395 |       | 0.409 |
| L    | 17.55      | 17.85 | 18.15 | 0.691 | 0.703 | 0.715 |
| L1   | 15.55      | 15.75 | 15.95 | 0.612 | 0.620 | 0.628 |
| L2   | 21.2       | 21.4  | 21.6  | 0.831 | 0.843 | 0.850 |
| L3   | 22.3       | 22.5  | 22.7  | 0.878 | 0.886 | 0.894 |
| L4   |            |       | 1.29  |       |       | 0.051 |
| L5   | 2.60       |       | 3.00  | 0.102 |       | 0.118 |
| L6   | 15.10      |       | 15.80 | 0.594 |       | 0.622 |
| L7   | 6.00       |       | 6.60  | 0.236 |       | 0.260 |
| L9   | 2.10       |       | 2.70  | 0.083 |       | 0.106 |
| L10  | 4.30       |       | 4.80  | 0.170 |       | 0.189 |
| M    | 4.23       | 4.5   | 4.75  | 0.167 | 0.178 | 0.187 |
| M1   | 3.75       | 4.0   | 4.25  | 0.148 | 0.157 | 0.187 |
| V4   | 40° (Typ.) |       |       |       |       |       |
| V5   | 90° (Typ.) |       |       |       |       |       |
| DIA  | 3.65       |       | 3.85  | 0.143 |       | 0.151 |

**OUTLINE AND MECHANICAL DATA**

Weight: 2.00gr



**Pentawatt V**



Information furnished is believed to be accurate and reliable. However, STMicroelectronics assumes no responsibility for the consequences of use of such information nor for any infringement of patents or other rights of third parties which may result from its use. No license is granted by implication or otherwise under any patent or patent rights of STMicroelectronics. Specifications mentioned in this publication are subject to change without notice. This publication supersedes and replaces all information previously supplied. STMicroelectronics products are not authorized for use as critical components in life support devices or systems without express written approval of STMicroelectronics.

The ST logo is a registered trademark of STMicroelectronics.  
All other names are the property of their respective owners

© 2003 STMicroelectronics - All rights reserved

STMicroelectronics GROUP OF COMPANIES

Australia - Belgium - Brazil - Canada - China - Czech Republic - Finland - France - Germany - Hong Kong - India - Israel - Italy - Japan - Malaysia - Malta - Morocco - Singapore - Spain - Sweden - Switzerland - United Kingdom - United States  
[www.st.com](http://www.st.com)