



# BCD DECADE COUNTERS/ 4-BIT BINARY COUNTERS

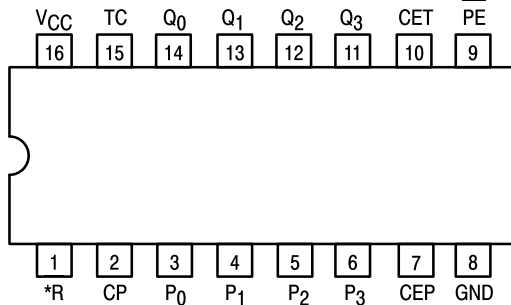
The LS160A/161A/162A/163A are high-speed 4-bit synchronous counters. They are edge-triggered, synchronously presettable, and cascadable MSI building blocks for counting, memory addressing, frequency division and other applications. The LS160A and LS162A count modulo 10 (BCD). The LS161A and LS163A count modulo 16 (binary).

The LS160A and LS161A have an asynchronous Master Reset (Clear) input that overrides, and is independent of, the clock and all other control inputs. The LS162A and LS163A have a Synchronous Reset (Clear) input that overrides all other control inputs, but is active only during the rising clock edge.

|                    | BCD (Modulo 10) | Binary (Modulo 16) |
|--------------------|-----------------|--------------------|
| Asynchronous Reset | LS160A          | LS161A             |
| Synchronous Reset  | LS162A          | LS163A             |

- Synchronous Counting and Loading
- Two Count Enable Inputs for High Speed Synchronous Expansion
- Terminal Count Fully Decoded
- Edge-Triggered Operation
- Typical Count Rate of 35 MHz
- ESD > 3500 Volts

### CONNECTION DIAGRAM DIP (TOP VIEW)



NOTE:  
The Flatpak version has the same pinouts (Connection Diagram) as the Dual In-Line Package.

\*MR for LS160A and LS161A  
\*SR for LS162A and LS163A

### PIN NAMES

|                                |                                      |
|--------------------------------|--------------------------------------|
| PE                             | Parallel Enable (Active LOW) Input   |
| P <sub>0</sub> -P <sub>3</sub> | Parallel Inputs                      |
| CEP                            | Count Enable Parallel Input          |
| CET                            | Count Enable Trickle Input           |
| CP                             | Clock (Active HIGH Going Edge) Input |
| MR                             | Master Reset (Active LOW) Input      |
| SR                             | Synchronous Reset (Active LOW) Input |
| Q <sub>0</sub> -Q <sub>3</sub> | Parallel Outputs (Note b)            |
| TC                             | Terminal Count Output (Note b)       |

### LOADING (Note a)

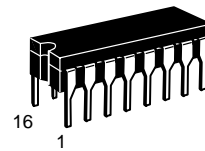
|                                | HIGH     | LOW          |
|--------------------------------|----------|--------------|
| PE                             | 1.0 U.L. | 0.5 U.L.     |
| P <sub>0</sub> -P <sub>3</sub> | 0.5 U.L. | 0.25 U.L.    |
| CEP                            | 0.5 U.L. | 0.25 U.L.    |
| CET                            | 1.0 U.L. | 0.5 U.L.     |
| CP                             | 0.5 U.L. | 0.25 U.L.    |
| MR                             | 0.5 U.L. | 0.25 U.L.    |
| SR                             | 1.0 U.L. | 0.5 U.L.     |
| Q <sub>0</sub> -Q <sub>3</sub> | 10 U.L.  | 5 (2.5) U.L. |
| TC                             | 10 U.L.  | 5 (2.5) U.L. |

### NOTES:

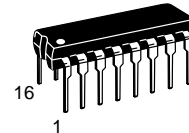
- a) 1 TTL Unit Load (U.L.) = 40  $\mu$ A HIGH/1.6 mA LOW.  
b) The Output LOW drive factor is 2.5 U.L. for Military (54) and 5 U.L. for Commercial (74) Temperature Ranges.

**SN54/74LS160A**  
**SN54/74LS161A**  
**SN54/74LS162A**  
**SN54/74LS163A**

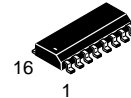
**BCD DECADE COUNTERS/  
4-BIT BINARY COUNTERS**  
**LOW POWER SCHOTTKY**



**J SUFFIX**  
CERAMIC  
CASE 620-09



**N SUFFIX**  
PLASTIC  
CASE 648-08

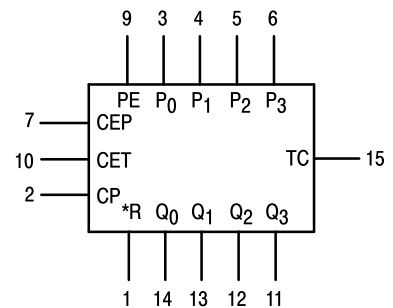


**D SUFFIX**  
SOIC  
CASE 751B-03

### ORDERING INFORMATION

SN54LSXXXJ Ceramic  
SN74LSXXXN Plastic  
SN74LSXXXD SOIC

### LOGIC SYMBOL

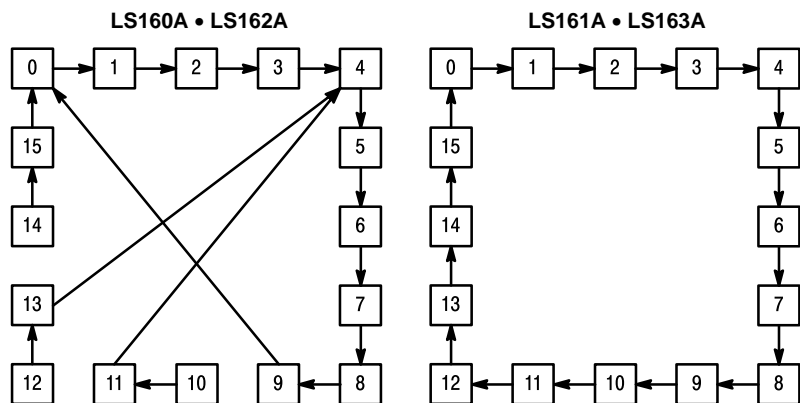


VCC = PIN 16  
GND = PIN 8

\*MR for LS160A and LS161A  
\*SR for LS162A and LS163A

# SN54/74LS160A • SN54/74LS161A SN54/74LS162A • SN54/74LS163A

## STATE DIAGRAM



## LOGIC EQUATIONS

Count Enable =  $\overline{\text{CEP}} \cdot \overline{\text{CET}} \cdot \overline{\text{PE}}$   
 TC for LS160A & LS162A =  $\text{CET} \cdot \overline{Q_0} \cdot \overline{Q_1} \cdot \overline{Q_2} \cdot \overline{Q_3}$   
 TC for LS161A & LS163A =  $\text{CET} \cdot \overline{Q_0} \cdot \overline{Q_1} \cdot \overline{Q_2} \cdot \overline{Q_3}$   
 Preset =  $\overline{\text{PE}} \cdot \text{CP} +$  (rising clock edge)  
 Reset =  $\overline{\text{MR}}$  (LS160A & LS161A)  
 Reset =  $\overline{\text{SR}} \cdot \text{CP} +$  (rising clock edge)  
 (LS162A & LS163A)

## NOTE:

The LS160A and LS162A can be preset to any state, but will not count beyond 9. If preset to state 10, 11, 12, 13, 14, or 15, it will return to its normal sequence within two clock pulses.

## FUNCTIONAL DESCRIPTION

The LS160A/161A/162A/163A are 4-bit synchronous counters with a synchronous Parallel Enable (Load) feature. The counters consist of four edge-triggered D flip-flops with the appropriate data routing networks feeding the D inputs. All changes of the Q outputs (except due to the asynchronous Master Reset in the LS160A and LS161A) occur as a result of, and synchronous with, the LOW to HIGH transition of the Clock input (CP). As long as the set-up time requirements are met, there are no special timing or activity constraints on any of the mode control or data inputs.

Three control inputs — Parallel Enable ( $\overline{\text{PE}}$ ), Count Enable Parallel (CEP) and Count Enable Trickle (CET) — select the mode of operation as shown in the tables below. The Count Mode is enabled when the CEP, CET, and PE inputs are HIGH. When the PE is LOW, the counters will synchronously load the data from the parallel inputs into the flip-flops on the LOW to HIGH transition of the clock. Either the CEP or CET can be used to inhibit the count sequence. With the PE held HIGH, a LOW on either the CEP or CET inputs at least one set-up time prior to the LOW to HIGH clock transition will cause the existing output states to be retained. The AND feature of the two Count Enable inputs ( $\text{CET} \cdot \text{CEP}$ ) allows synchronous cascading without external gating and without delay accumulation over any practical number of bits or digits.

The Terminal Count (TC) output is HIGH when the Count Enable Trickle (CET) input is HIGH while the counter is in its maximum count state (HLLH for the BCD counters, HHHH for

the Binary counters). Note that TC is fully decoded and will, therefore, be HIGH only for one count state.

The LS160A and LS162A count modulo 10 following a binary coded decimal (BCD) sequence. They generate a TC output when the CET input is HIGH while the counter is in state 9 (HLLH). From this state they increment to state 0 (LLLL). If loaded with a code in excess of 9 they return to their legitimate sequence within two counts, as explained in the state diagram. States 10 through 15 do *not* generate a TC output.

The LS161A and LS163A count modulo 16 following a binary sequence. They generate a TC when the CET input is HIGH while the counter is in state 15 (HHHH). From this state they increment to state 0 (LLLL).

The Master Reset ( $\overline{\text{MR}}$ ) of the LS160A and LS161A is asynchronous. When the  $\overline{\text{MR}}$  is LOW, it overrides all other input conditions and sets the outputs LOW. The  $\overline{\text{MR}}$  pin should never be left open. If not used, the  $\overline{\text{MR}}$  pin should be tied through a resistor to  $V_{CC}$ , or to a gate output which is permanently set to a HIGH logic level.

The active LOW Synchronous Reset ( $\overline{\text{SR}}$ ) input of the LS162A and LS163A acts as an edge-triggered control input, overriding CET, CEP and PE, and resetting the four counter flip-flops on the LOW to HIGH transition of the clock. This simplifies the design from race-free logic controlled reset circuits, e.g., to reset the counter synchronously after reaching a predetermined value.

MODE SELECT TABLE

| *SR | PE | CET | CEP | Action on the Rising Clock Edge ( $\uparrow$ ) |
|-----|----|-----|-----|--|
| L   | X  | X   | X   | RESET (Clear)                                  |
| H   | L  | X   | X   | LOAD ( $P_n$ $Q_n$ )                           |
| H   | H  | H   | H   | COUNT (Increment)                              |
| H   | H  | L   | X   | NO CHANGE (Hold)                               |
| H   | H  | X   | L   | NO CHANGE (Hold)                               |

\*For the LS162A and LS163A only.

H = HIGH Voltage Level  
 L = LOW Voltage Level  
 X = Don't Care

# SN54/74LS160A • SN54/74LS161A SN54/74LS162A • SN54/74LS163A

## GUARANTEED OPERATING RANGES

| Symbol          | Parameter                           |          | Min         | Typ        | Max         | Unit |
|-----------------|-------------------------------------|----------|-------------|------------|-------------|------|
| V <sub>CC</sub> | Supply Voltage                      | 54<br>74 | 4.5<br>4.75 | 5.0<br>5.0 | 5.5<br>5.25 | V    |
| T <sub>A</sub>  | Operating Ambient Temperature Range | 54<br>74 | -55<br>0    | 25<br>25   | 125<br>70   | °C   |
| I <sub>OH</sub> | Output Current — High               | 54, 74   |             |            | -0.4        | mA   |
| I <sub>OL</sub> | Output Current — Low                | 54<br>74 |             |            | 4.0<br>8.0  | mA   |

## LS160A and LS161A

### DC CHARACTERISTICS OVER OPERATING TEMPERATURE RANGE (unless otherwise specified)

| Symbol          | Parameter   | Limits |       |              | Unit | Test Conditions  |   |
|-----------------|---|--------|-------|--------------|------|--|---|
|                 |   | Min    | Typ   | Max          |      |  |   |
| V <sub>IH</sub> | Input HIGH Voltage  | 2.0    |       |              | V    | Guaranteed Input HIGH Voltage for All Inputs   |   |
| V <sub>IL</sub> | Input LOW Voltage   | 54     |       | 0.7          | V    | Guaranteed Input LOW Voltage for All Inputs  |   |
|                 |   | 74     |       | 0.8          |      |  |   |
| V <sub>IK</sub> | Input Clamp Diode Voltage                                       |        | -0.65 | -1.5         | V    | V <sub>CC</sub> = MIN, I <sub>IN</sub> = -18 mA  |   |
| V <sub>OH</sub> | Output HIGH Voltage   | 54     | 2.5   | 3.5          | V    | V <sub>CC</sub> = MIN, I <sub>OH</sub> = MAX, V <sub>IN</sub> = V <sub>IH</sub> or V <sub>IL</sub> per Truth Table |   |
|                 |   | 74     | 2.7   | 3.5          | V    |  |   |
| V <sub>OL</sub> | Output LOW Voltage  | 54, 74 |       | 0.25         | 0.4  | V  | I <sub>OL</sub> = 4.0 mA<br>V <sub>CC</sub> = V <sub>CC</sub> MIN, V <sub>IN</sub> = V <sub>IL</sub> or V <sub>IH</sub> per Truth Table |
|                 |   | 74     |       | 0.35         | 0.5  | V  |   |
| I <sub>IH</sub> | Input HIGH Current<br>MR, Data, CEP, Clock<br>PE, CET           |        |       | 20<br>40     | μA   | V <sub>CC</sub> = MAX, V <sub>IN</sub> = 2.7 V   |   |
|                 | MR, Data, CEP, Clock<br>PE, CET                                 |        |       | 0.1<br>0.2   | mA   | V <sub>CC</sub> = MAX, V <sub>IN</sub> = 7.0 V   |   |
| I <sub>IL</sub> | Input LOW Current<br>MR, Data, CEP, Clock<br>PE, CET            |        |       | -0.4<br>-0.8 | mA   | V <sub>CC</sub> = MAX, V <sub>IN</sub> = 0.4 V   |   |
| I <sub>OS</sub> | Short Circuit Current (Note 1)                                  | -20    |       | -100         | mA   | V <sub>CC</sub> = MAX  |   |
| I <sub>CC</sub> | Power Supply Current<br>Total, Output HIGH<br>Total, Output LOW |        |       | 31<br>32     | mA   | V <sub>CC</sub> = MAX  |   |

Note 1: Not more than one output should be shorted at a time, nor for more than 1 second.

# SN54/74LS160A • SN54/74LS161A SN54/74LS162A • SN54/74LS163A

## LS162A and LS163A

### DC CHARACTERISTICS OVER OPERATING TEMPERATURE RANGE (unless otherwise specified)

| Symbol          | Parameter   | Limits |       |              | Unit | Test Conditions  |   |
|-----------------|---|--------|-------|--------------|------|--|---|
|                 |   | Min    | Typ   | Max          |      |  |   |
| V <sub>IH</sub> | Input HIGH Voltage  | 2.0    |       |              | V    | Guaranteed Input HIGH Voltage for All Inputs   |   |
| V <sub>IL</sub> | Input LOW Voltage   | 54     |       | 0.7          | V    | Guaranteed Input LOW Voltage for All Inputs  |   |
|                 |   | 74     |       | 0.8          |      |  |   |
| V <sub>IK</sub> | Input Clamp Diode Voltage                                       |        | -0.65 | -1.5         | V    | V <sub>CC</sub> = MIN, I <sub>IN</sub> = -18 mA  |   |
| V <sub>OH</sub> | Output HIGH Voltage   | 54     | 2.5   | 3.5          | V    | V <sub>CC</sub> = MIN, I <sub>OH</sub> = MAX, V <sub>IN</sub> = V <sub>IH</sub> or V <sub>IL</sub> per Truth Table |   |
|                 |   | 74     | 2.7   | 3.5          | V    |  |   |
| V <sub>OL</sub> | Output LOW Voltage  | 54, 74 |       | 0.25         | 0.4  | V  | I <sub>OL</sub> = 4.0 mA<br>V <sub>CC</sub> = V <sub>CC</sub> MIN, V <sub>IN</sub> = V <sub>IL</sub> or V <sub>IH</sub> per Truth Table |
|                 |   | 74     |       | 0.35         | 0.5  | V  |   |
| I <sub>IH</sub> | Input HIGH Current<br>Data, CEP, Clock<br>PE, CET, SR           |        |       | 20<br>40     | μA   | V <sub>CC</sub> = MAX, V <sub>IN</sub> = 2.7 V   |   |
|                 | Data, CEP, Clock<br>PE, CET, SR                                 |        |       | 0.1<br>0.2   | mA   | V <sub>CC</sub> = MAX, V <sub>IN</sub> = 7.0 V   |   |
| I <sub>IL</sub> | Input LOW Current<br>Data, CEP, Clock, PE, SR<br>CET            |        |       | -0.4<br>-0.8 | mA   | V <sub>CC</sub> = MAX, V <sub>IN</sub> = 0.4 V   |   |
| I <sub>OS</sub> | Short Circuit Current (Note 1)                                  | -20    |       | -100         | mA   | V <sub>CC</sub> = MAX  |   |
| I <sub>CC</sub> | Power Supply Current<br>Total, Output HIGH<br>Total, Output LOW |        |       | 31<br>32     | mA   | V <sub>CC</sub> = MAX  |   |

Note 1: Not more than one output should be shorted at a time, nor for more than 1 second.

### AC CHARACTERISTICS (T<sub>A</sub> = 25°C)

| Symbol                               | Parameter                        | Limits |            |          | Unit | Test Conditions                                   |
|--------------------------------------|----------------------------------|--------|------------|----------|------|---|
|                                      |                                  | Min    | Typ        | Max      |      |   |
| f <sub>MAX</sub>                     | Maximum Clock Frequency          | 25     | 32         |          | MHz  | V <sub>CC</sub> = 5.0 V<br>C <sub>L</sub> = 15 pF |
| t <sub>PLH</sub><br>t <sub>PHL</sub> | Propagation Delay<br>Clock to TC |        | 20<br>18   | 35<br>35 | ns   |   |
|                                      |                                  |        | 13<br>18   | 24<br>27 | ns   |   |
| t <sub>PLH</sub><br>t <sub>PHL</sub> | Propagation Delay<br>CET to TC   |        | 9.0<br>9.0 | 14<br>14 | ns   |   |
|                                      |                                  |        | 20         | 28       | ns   |   |
| t <sub>PHL</sub>                     | MR or SR to Q                    |        | 20         | 28       | ns   |   |

# SN54/74LS160A • SN54/74LS161A SN54/74LS162A • SN54/74LS163A

## AC SETUP REQUIREMENTS ( $T_A = 25^\circ\text{C}$ )

| Symbol    | Parameter              | Limits |     |     | Unit | Test Conditions         |
|-----------|------------------------|--------|-----|-----|------|-------------------------|
|           |                        | Min    | Typ | Max |      |                         |
| $t_{WCP}$ | Clock Pulse Width Low  | 25     |     |     | ns   | $V_{CC} = 5.0\text{ V}$ |
| $t_W$     | MR or SR Pulse Width   | 20     |     |     | ns   |                         |
| $t_s$     | Setup Time, other*     | 20     |     |     | ns   |                         |
| $t_s$     | Setup Time PE or SR    | 25     |     |     | ns   |                         |
| $t_h$     | Hold Time, data        | 3      |     |     | ns   |                         |
| $t_h$     | Hold Time, other       | 0      |     |     | ns   |                         |
| $t_{rec}$ | Recovery Time MR to CP | 15     |     |     | ns   |                         |

\*CEP, CET or DATA

## DEFINITION OF TERMS

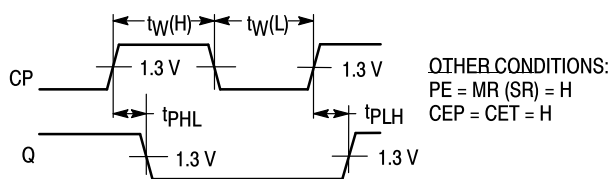
**SETUP TIME ( $t_s$ )** — is defined as the minimum time required for the correct logic level to be present at the logic input prior to the clock transition from LOW to HIGH in order to be recognized and transferred to the outputs.

**HOLD TIME ( $t_h$ )** — is defined as the minimum time following the clock transition from LOW to HIGH that the logic level must be maintained at the input in order to ensure continued recog-

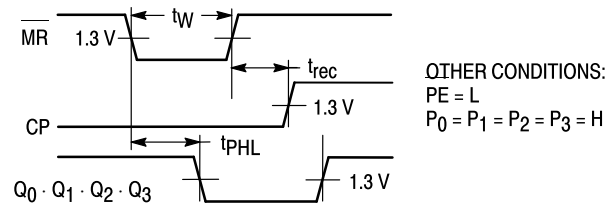
nition. A negative HOLD TIME indicates that the correct logic level may be released prior to the clock transition from LOW to HIGH and still be recognized.

**RECOVERY TIME ( $t_{rec}$ )** — is defined as the minimum time required between the end of the reset pulse and the clock transition from LOW to HIGH in order to recognize and transfer HIGH Data to the Q outputs.

## AC WAVEFORMS



**Figure 1. Clock to Output Delays, Count Frequency, and Clock Pulse Width**



**Figure 2. Master Reset to Output Delay, Master Reset Pulse Width, and Master Reset Recovery Time**

# SN54/74LS160A • SN54/74LS161A SN54/74LS162A • SN54/74LS163A

## AC WAVEFORMS (continued)

### COUNT ENABLE TRICKLE INPUT TO TERMINAL COUNT OUTPUT DELAYS

The positive  $\overline{TC}$  pulse occurs when the outputs are in the ( $Q_0 \bullet Q_1 \bullet Q_2 \bullet Q_3$ ) state for the LS160 and LS162 and the ( $Q_0 \bullet Q_1 \bullet Q_2 \bullet Q_3$ ) state for the LS161 and LS163.

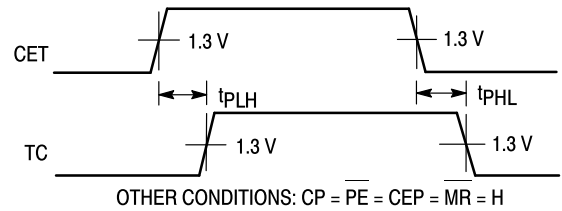


Figure 3

### CLOCK TO TERMINAL COUNT DELAYS

The positive  $\overline{TC}$  pulse is coincident with the output state ( $Q_0 \bullet Q_1 \bullet Q_2 \bullet Q_3$ ) state for the LS161 and LS163 and ( $Q_0 \bullet Q_1 \bullet Q_2 \bullet Q_3$ ) for the LS161 and LS163.

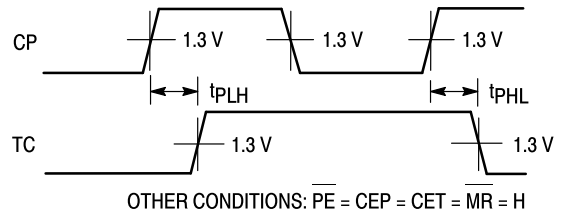


Figure 4

### SETUP TIME ( $t_s$ ) AND HOLD TIME ( $t_h$ ) FOR PARALLEL DATA INPUTS

The shaded areas indicate when the input is permitted to change for predictable output performance.

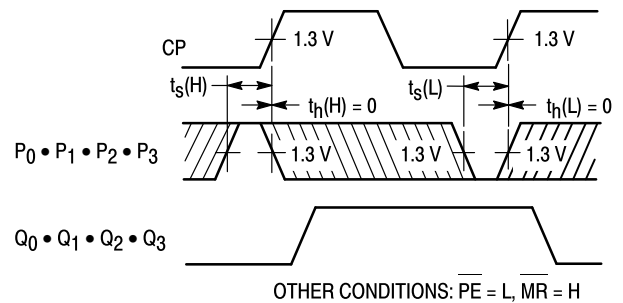


Figure 5

### SETUP TIME ( $t_s$ ) AND HOLD TIME ( $t_h$ ) FOR COUNT ENABLE (CEP) AND (CET) AND PARALLEL ENABLE (PE) INPUTS

The shaded areas indicate when the input is permitted to change for predictable output performance.

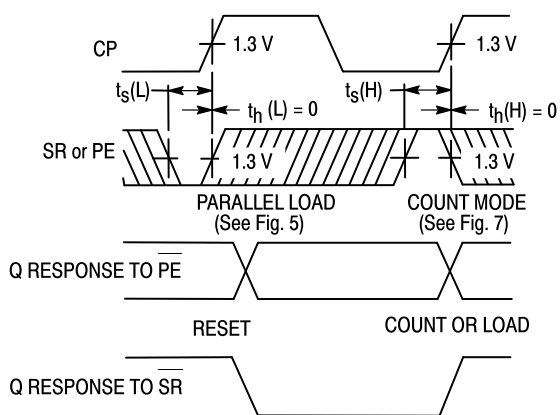


Figure 6

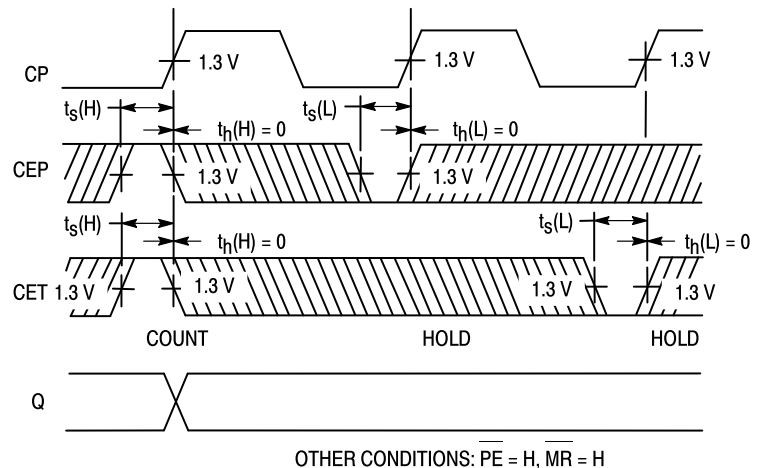


Figure 7